

40660 357260

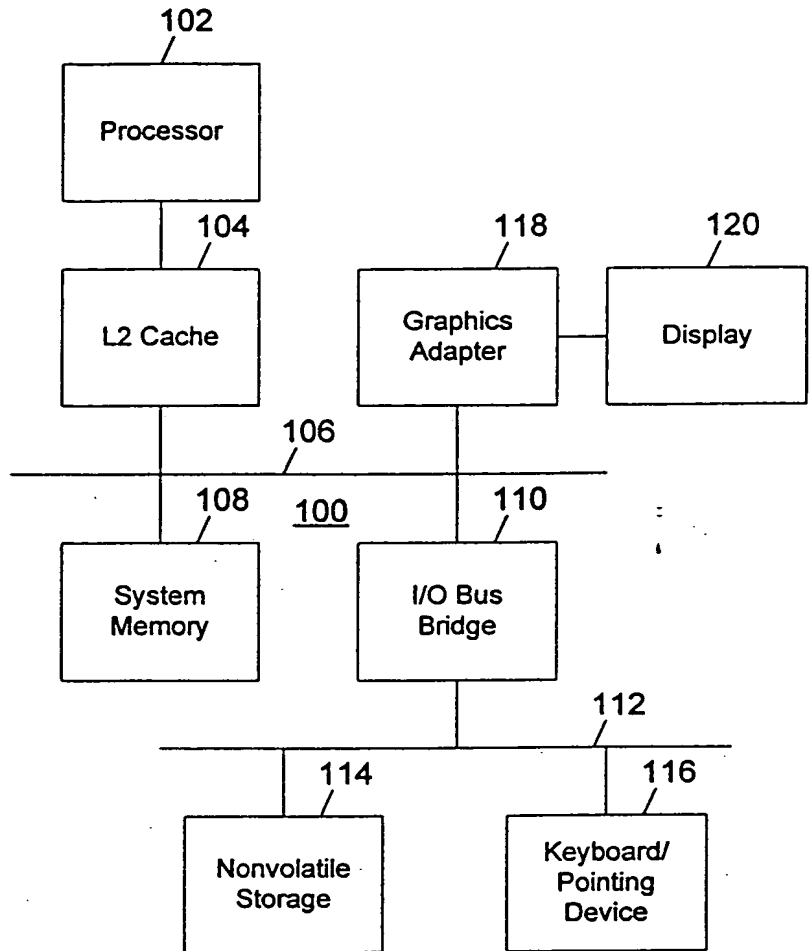


Figure 1

TOP SECRET

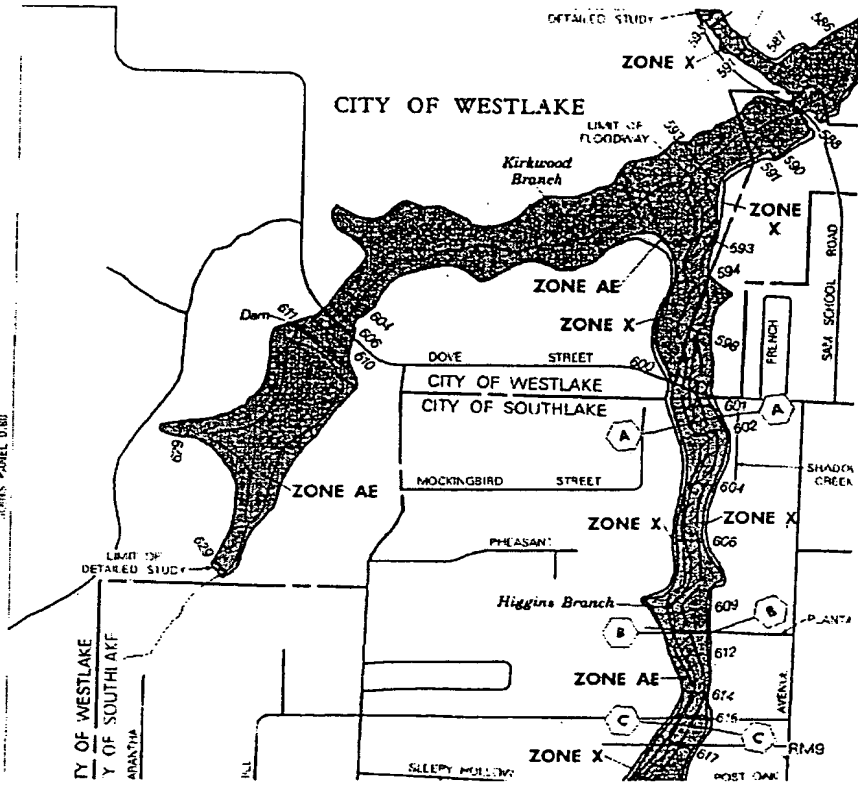


FIG 2

10921538-032904

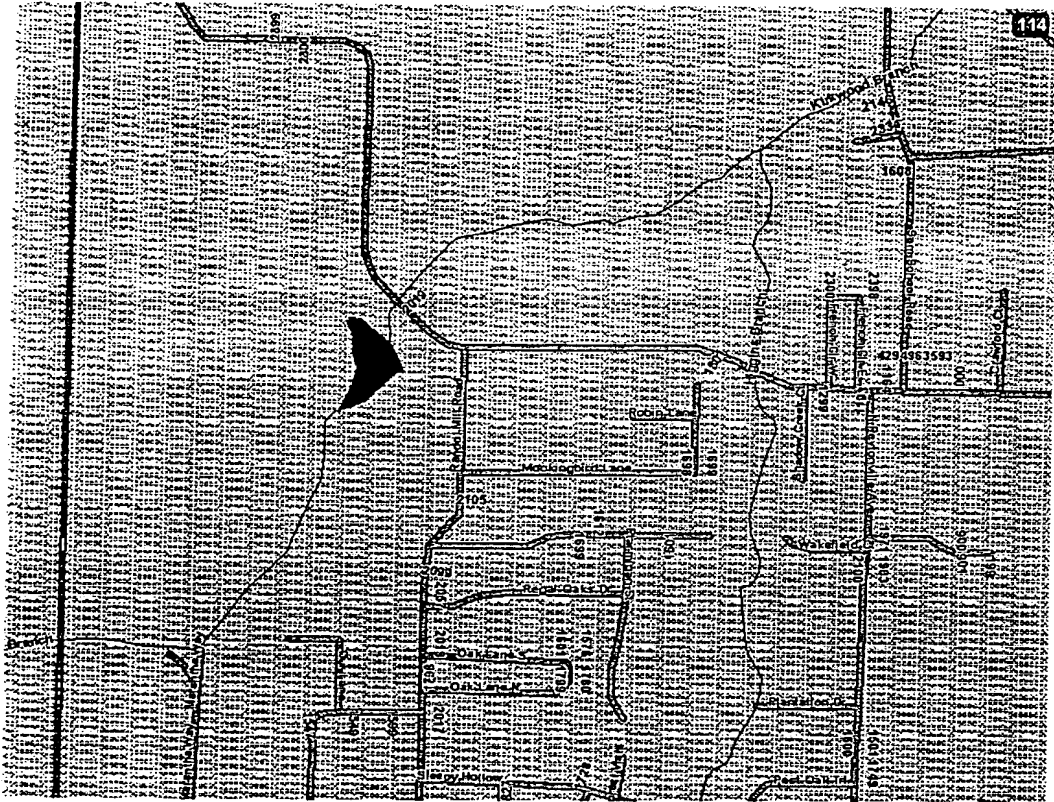


FIG. 3

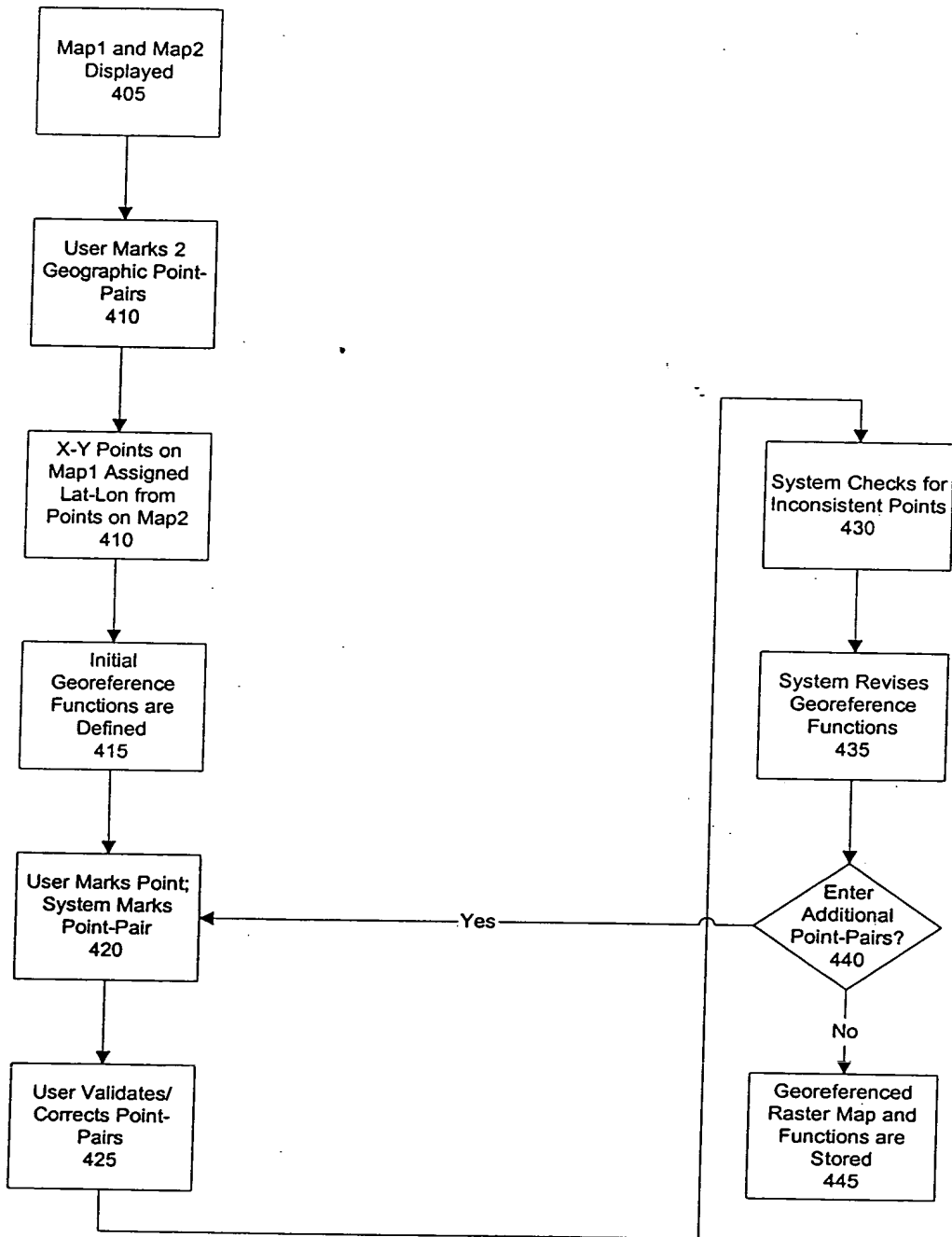


Figure 4

TOP SECRET